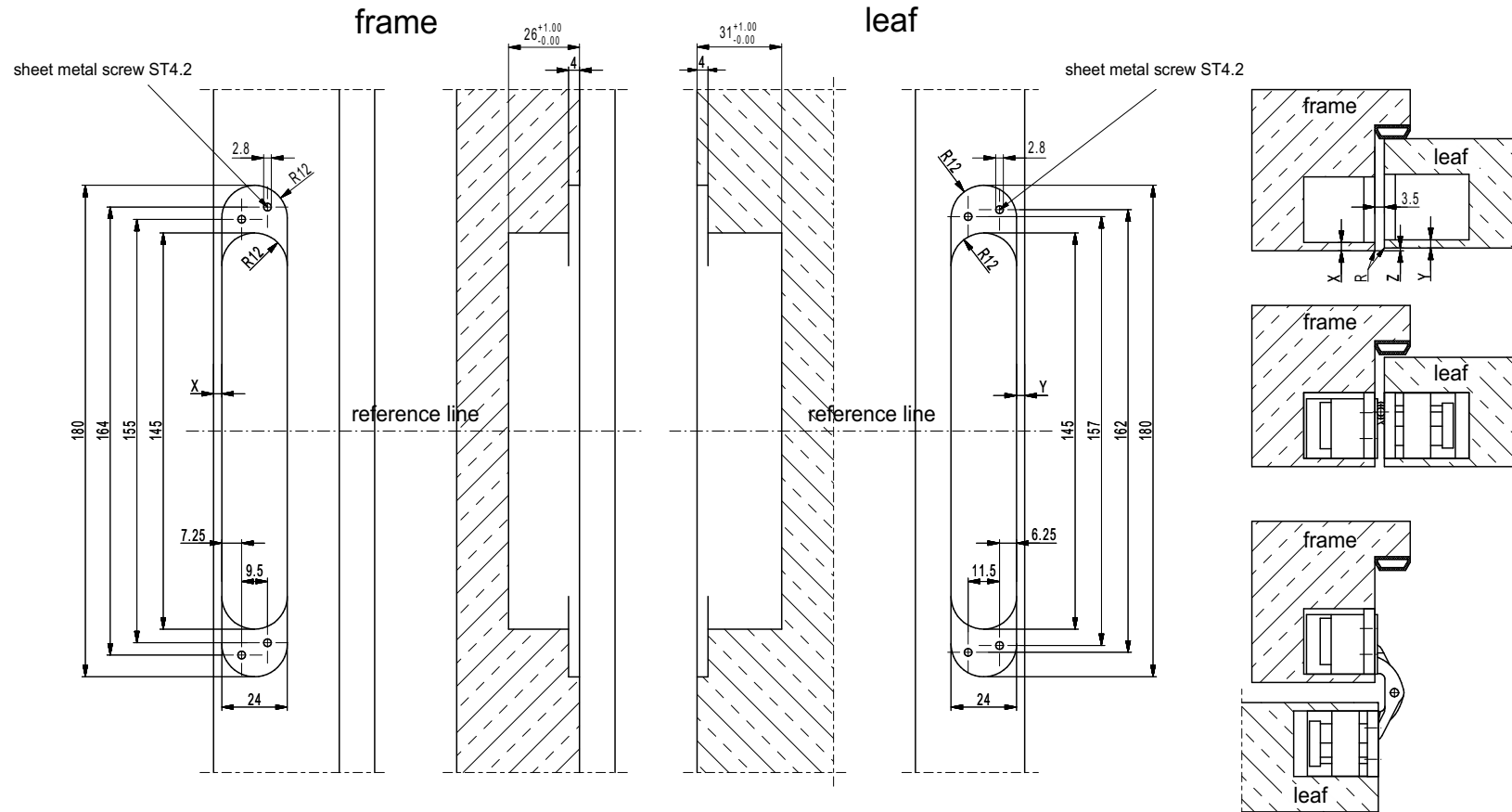


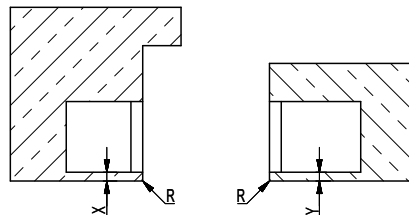
# PIVOTA® DX 38 3D DESIGN

## Cutout Drawing



### cutout ratio

Frame (X)	Leaf (Y)	Distance (Z)	Radius (R)
<u>3 mm</u>	<u>3 mm</u>	<u>0 mm</u>	<u>0 mm</u>
4 mm	4 mm	0 mm	0 mm
4 mm	5 mm	1 mm	1 mm
5 mm	4 mm	1 mm	1 mm
5 mm	5 mm	0 mm	2 mm



Please note that the cutout ratios become more unfavourable downward in the table with the effect of reducing the adjustability of the hinge.  
 Ideal case: door recess 3 mm, frame recess also 3 mm (underlined).  
 A big radius at the door and frame is recommendable.